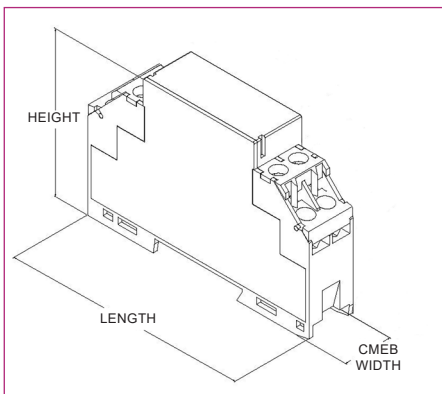
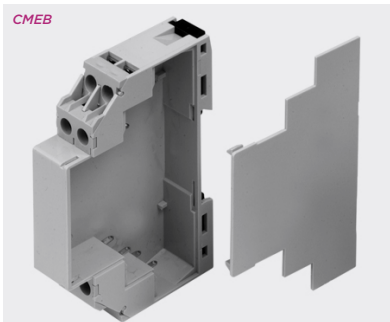


Extendable module enclosures

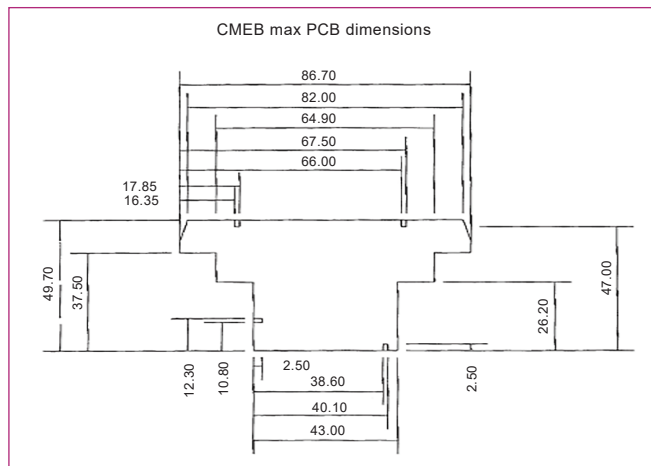
Product overview

- 17.5mm width module enclosure, extendable enclosure has a detachable end plate
- Each module, has 8 removable screw terminals
- Top hat 35mm DIN Rail or surface mounting
- Moulded in flame retardant UL94-V0 grade ABS



| SPECIFICATION | |
|---------------------|--|
| Rating terminals | 8A/250VAC |
| Cable entry | 2x2.5mm ² solid or standard |
| Terminal protection | IP20 |
| Material | UL94-V0 grade ABS |

| PART NO. | LENGTH | WIDTH | HEIGHT | DESCRIPTION |
|----------|--------|--------|--------|-------------------|
| CMEB | 90mm | 17.5mm | 59mm | 17.5mm module box |



KEY FEATURES

UL94-V0 | 17.5mm width module | Removable screw terminals

